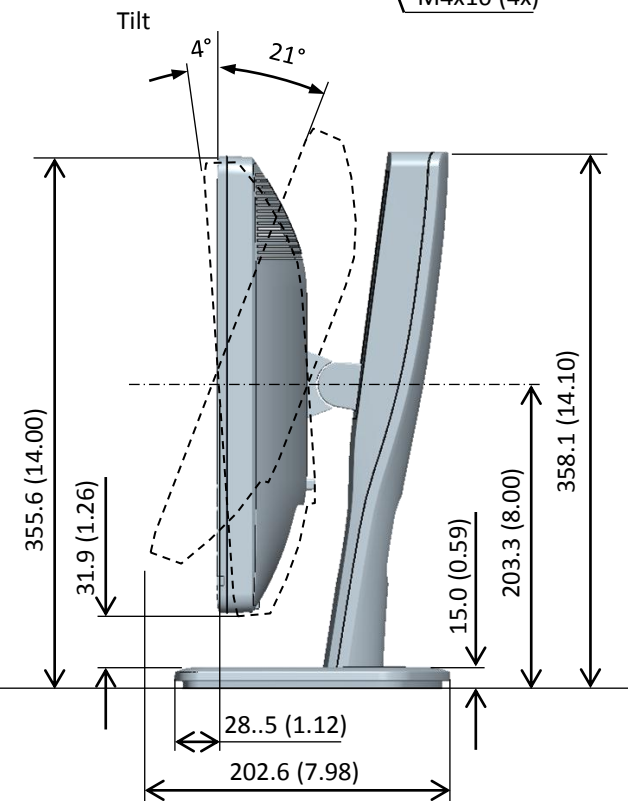
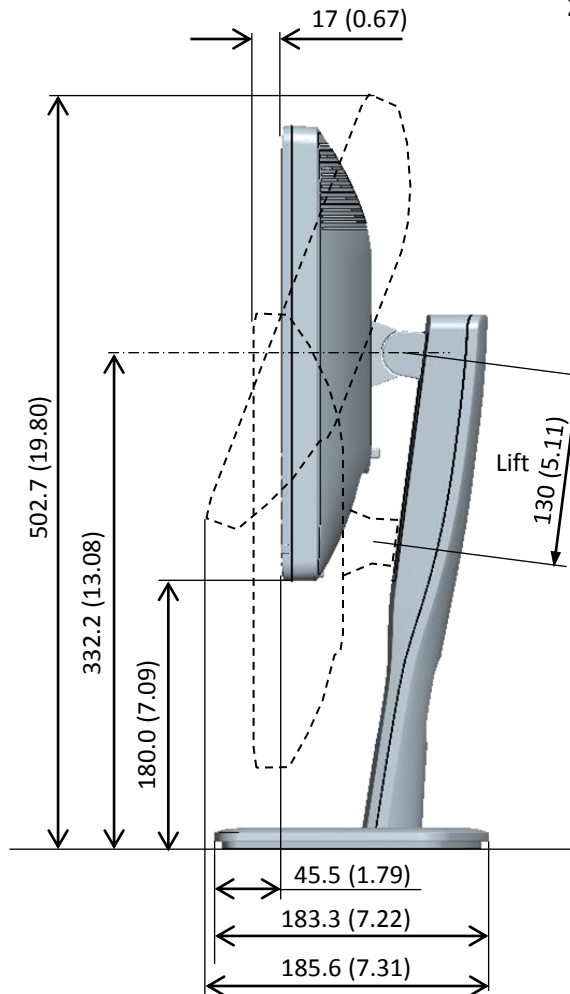
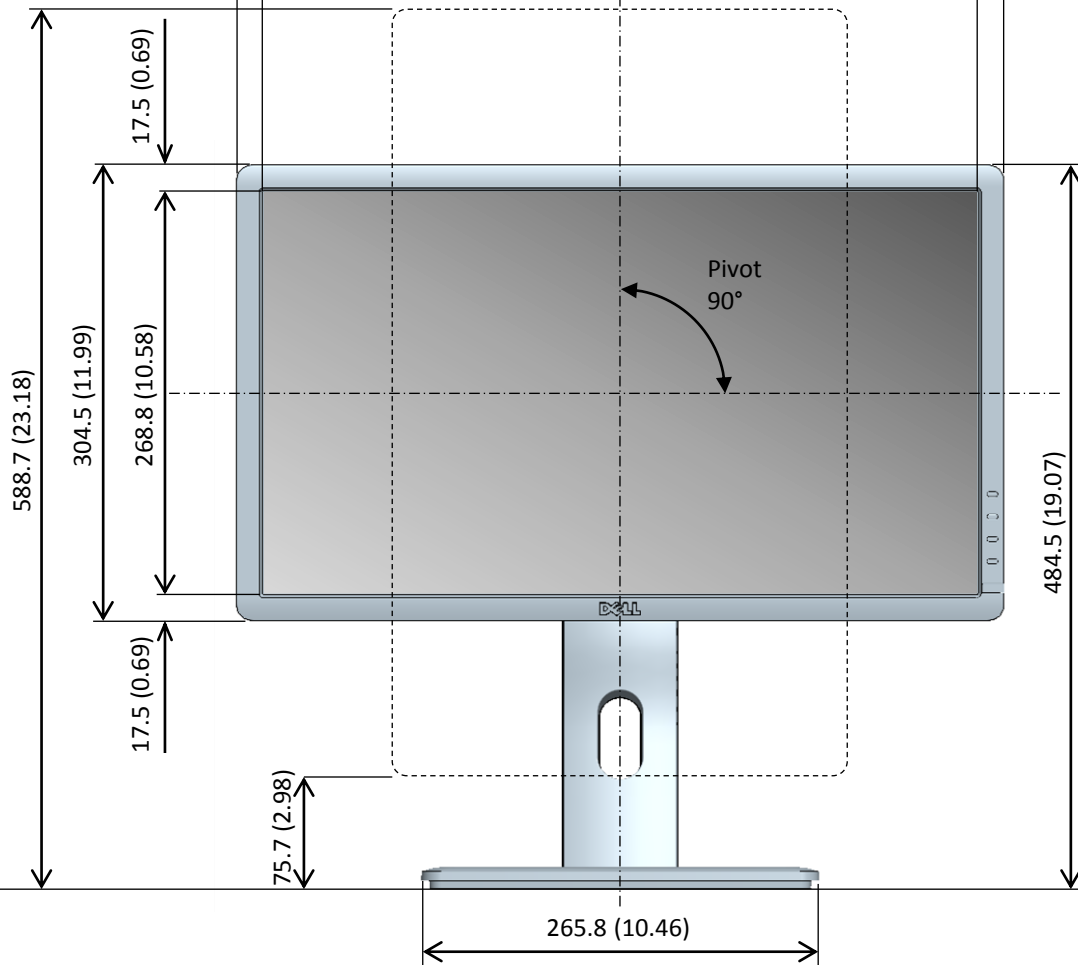
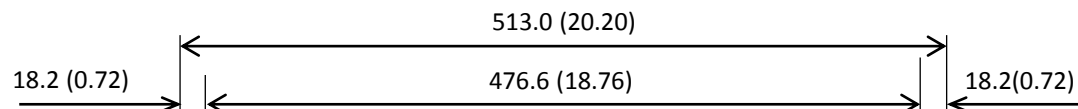
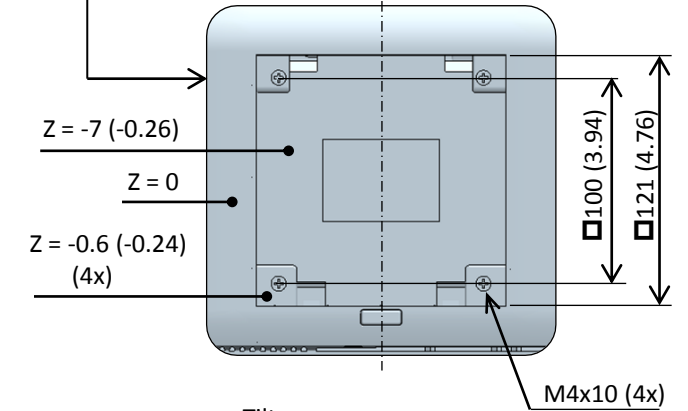
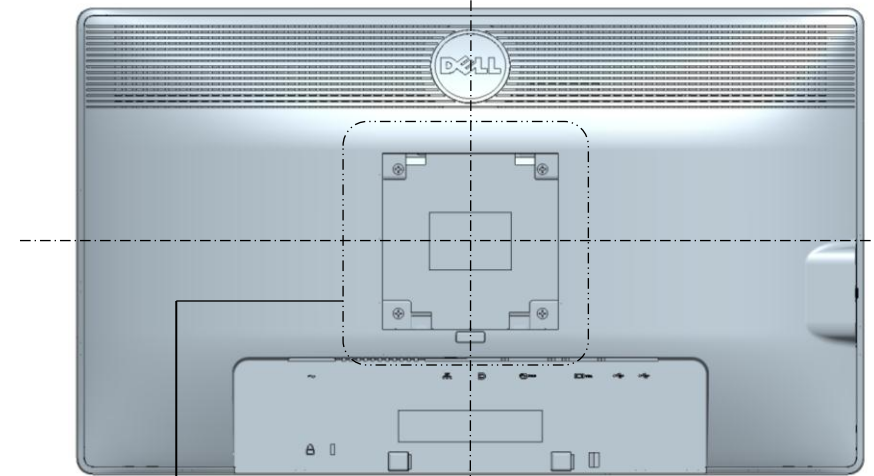
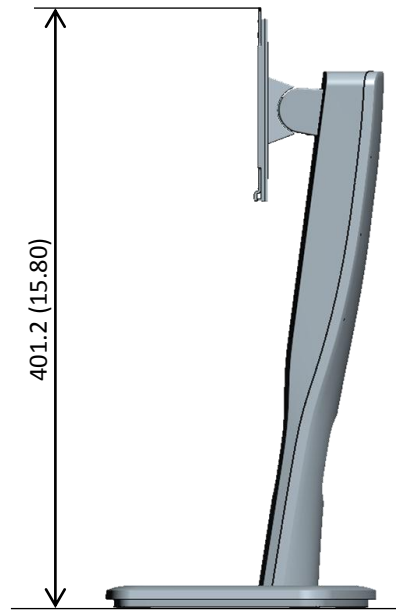
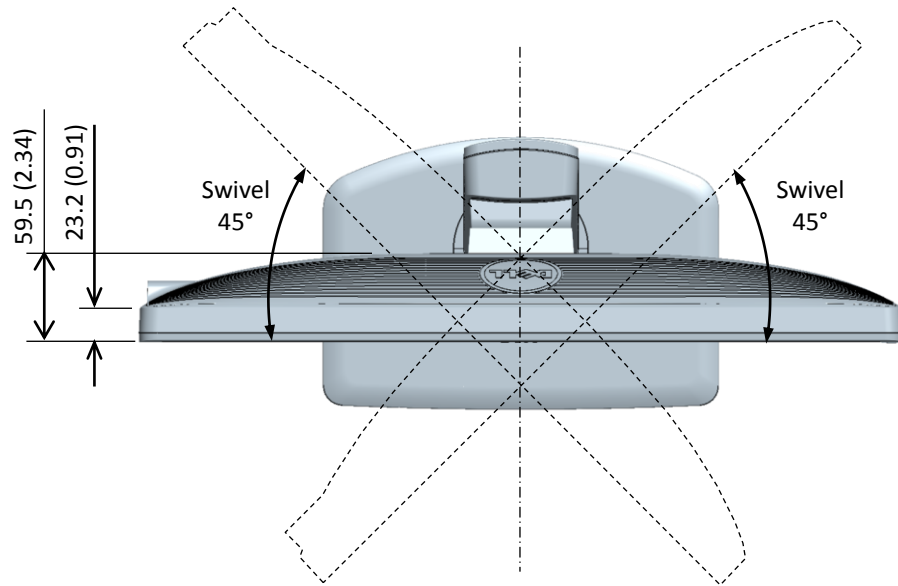


P2212H Outline Dimension

Unit : mm (inch)
 Dimension : Nominal
 Drawing : Not to scale



P2312H Outline Dimension

Unit : mm (inch)
 Dimension : Nominal
 Drawing : Not to scale

